

UKA RULES for COMPETITION 2016 – 2018

Supplementary Guidance Notes (September 2016)

Following publication of the 2016 – 2018 Rule Book a number of issues have been identified that were either omitted during printing or require explanation; these are summarised here.

<u>Rule</u>	<u>Comment</u>
21 S1(vi)	After Unattached athletes insert: “and any club member competing as an individual and not as a member of any team”
125.5	<p>Rule 125.5 will be added into the UKA adaptation of IAAF Rules to meet the requirements of cross references in other places. The Rule reads:</p> <p>The Referee shall have authority to warn or exclude from competition, any athlete guilty of acting in an unsporting or improper manner or under Rule 162.5. Warnings may be indicated to the athlete by showing a yellow card, exclusion by showing a red card. Warnings and exclusions shall be entered on the result card and communicated to the Competition Secretary and to the other Referees.</p> <p><i>Note: (i) The Referee may, where the circumstances justify it, exclude an athlete without a warning having been given. (See also Note to Rule 144.2.)</i></p> <p><i>Note: (ii) When excluding an athlete from competition under this Rule, if the Referee is aware that a yellow card has already been given, he should show a second yellow card followed immediately by a red card.</i></p> <p><i>Note (iii) If a yellow card is given and the Referee is not aware that there is a previous yellow card, it shall, once this is known, have the same consequence as if it was given in association with a red card.</i></p> <p><i>The relevant Referee shall take immediate action to inform the athlete or his team of his exclusion.</i></p>
146 S1(4)	<p>In first paragraph of Rule 146 S1(4) insert a new third sentence after “... at the discretion of UKA.”:</p> <p>“In addition the board of UKA, may at its discretion, refer any decision taken by a National Association, and after consultation with the National Association, to an Independent Appeals Panel. Any other disciplinary matters that are not related to competition must be dealt with by policies and procedures outside the “Competition Rule book”.</p> <p>This amendment will give powers to deal with any appropriate competition issue that may arise and reflect the powers previously granted through 22(4) in the 2014 - 2016 Rule Book. Any other disciplinary matters that do not relate to competition should be dealt with by procedures outside the Competition Rule book.</p>



**BRITISH
ATHLETICS**



- 163.12 New supplement required as IAAF events do not go below 100m but UKA events start at 70m (Under 13 Girls Hurdles):
 Wind speed measurement: All distances up to 100m – 10 seconds
- Cages The diagrams in the 2014 - 2016 rules, but not included in the 2016 – 2018 book, are still valid for UKA events and include key safety and control dimensions. Please see below for copies of these drawings.
- 187(1) For clearer understanding the IAAF Implement Table should read
- | Girls | Women | Boys | Men | Men |
|-------|------------|------|-----|--------|
| U18 | U20/Senior | U18 | U20 | Senior |
- 191 S1 The overall length of the hammer for U13 Girls' Hammer should read 119.5 cm
- 214(6) Supplement required to remove the requirement to run 300m Indoors entirely in lanes
 UKA supplement for 214.6(a) - 300m races shall start and continue in lanes until the breakline marked at the end of the second bend.
 UKA supplement for 214.6(c) - A (single) arced start may be used for 800m races

UKA Rules Advisory Group
 September 2016



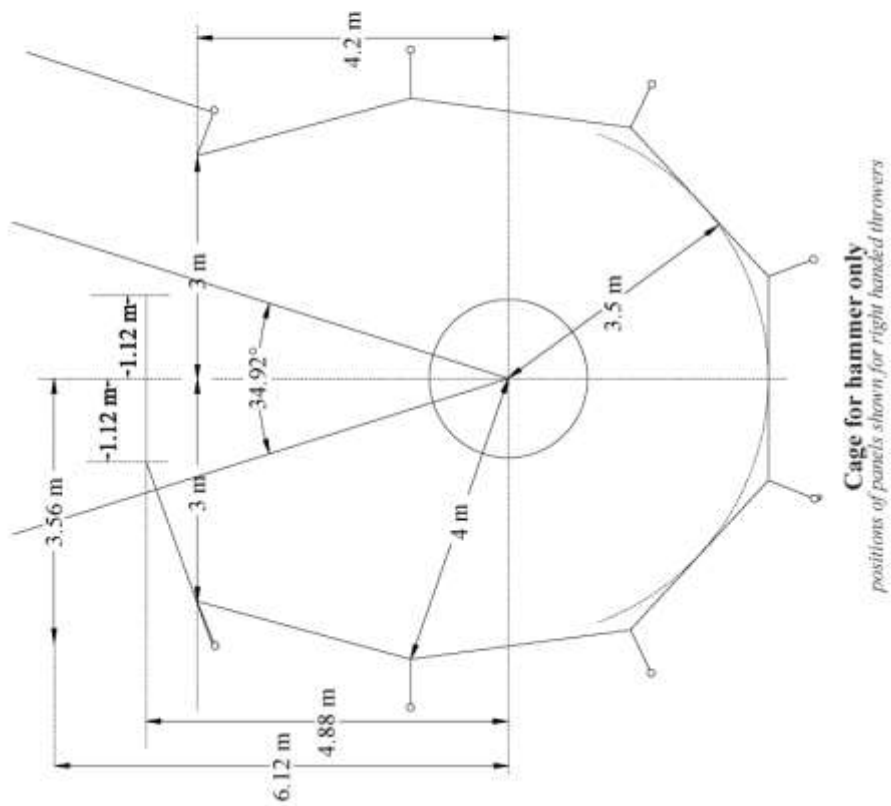
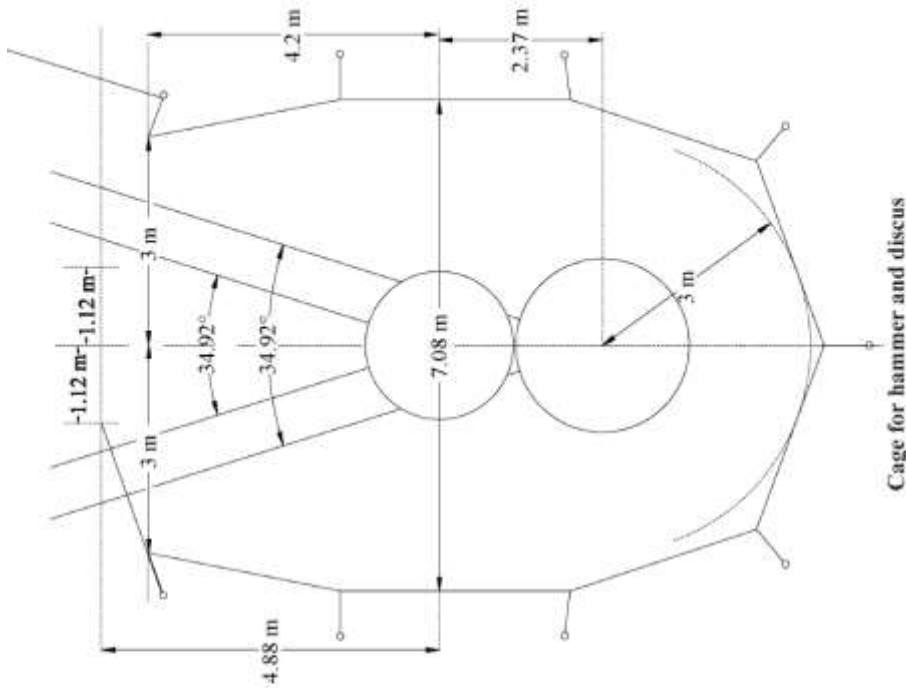
**BRITISH
 ATHLETICS**



Registered Office:

UK Athletics Limited · Athletics House · Alexander Stadium · Walsall Road · Perry Barr · Birmingham · B42 2BE
 Tel: 0121 713 8400 · Fax: 0121 713 8452 · www.britishathletics.org.uk

Registered in England No.3686940



**BRITISH
ATHLETICS**



Grant Thornton
An Instinct for growth

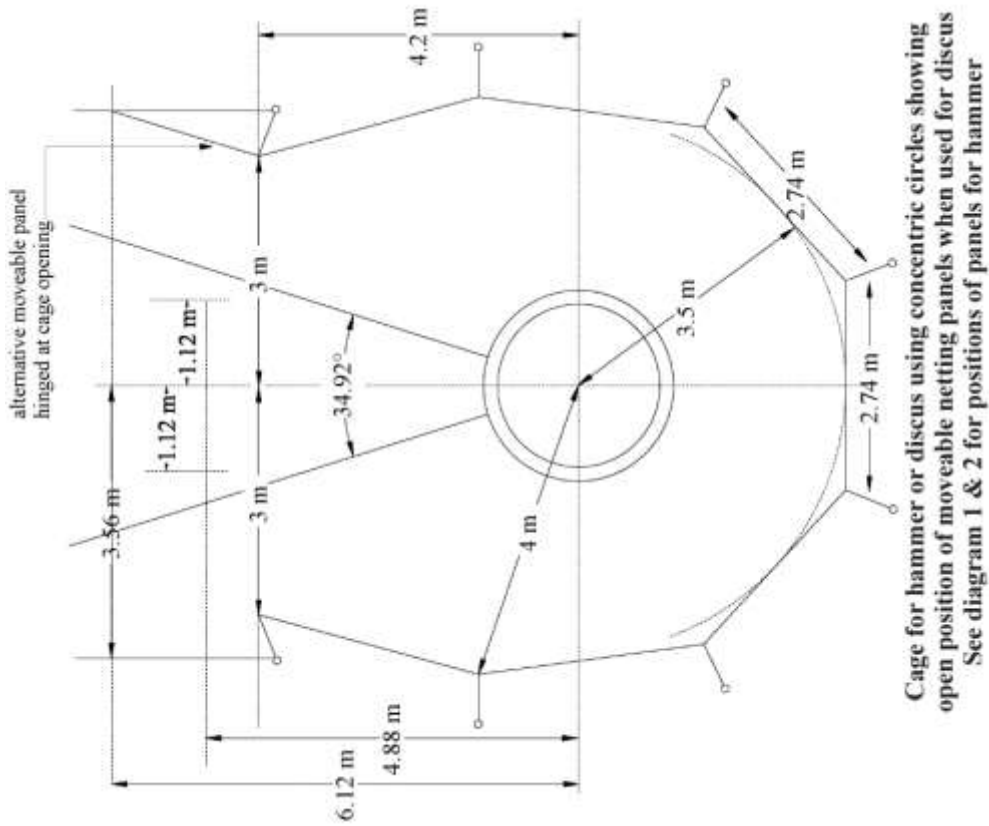
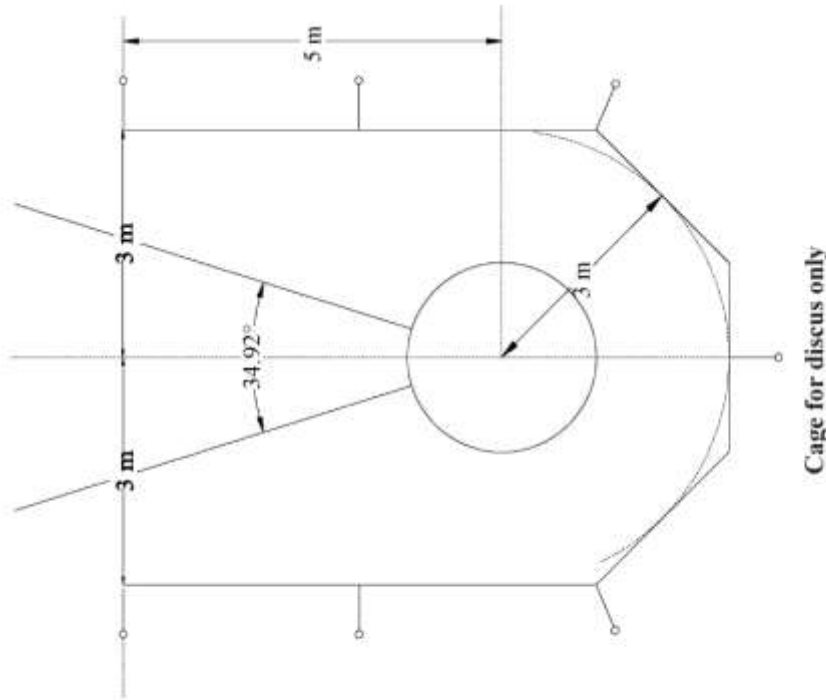


uk sport
LOTTERY FUNDED

Registered Office:

UK Athletics Limited · Athletics House · Alexander Stadium · Walsall Road · Perry Barr · Birmingham · B42 2BE
Tel: 0121 713 8400 · Fax: 0121 713 8452 · www.britishathletics.org.uk

Registered in England No.3686940



BRITISH ATHLETICS



Grant Thornton
An Instinct for growth



uk sport
LOTTERY FUNDED

Registered Office:

UK Athletics Limited · Athletics House · Alexander Stadium · Walsall Road · Perry Barr · Birmingham · B42 2BE
Tel: 0121 713 8400 · Fax: 0121 713 8452 · www.britishathletics.org.uk

Registered in England No.3686940