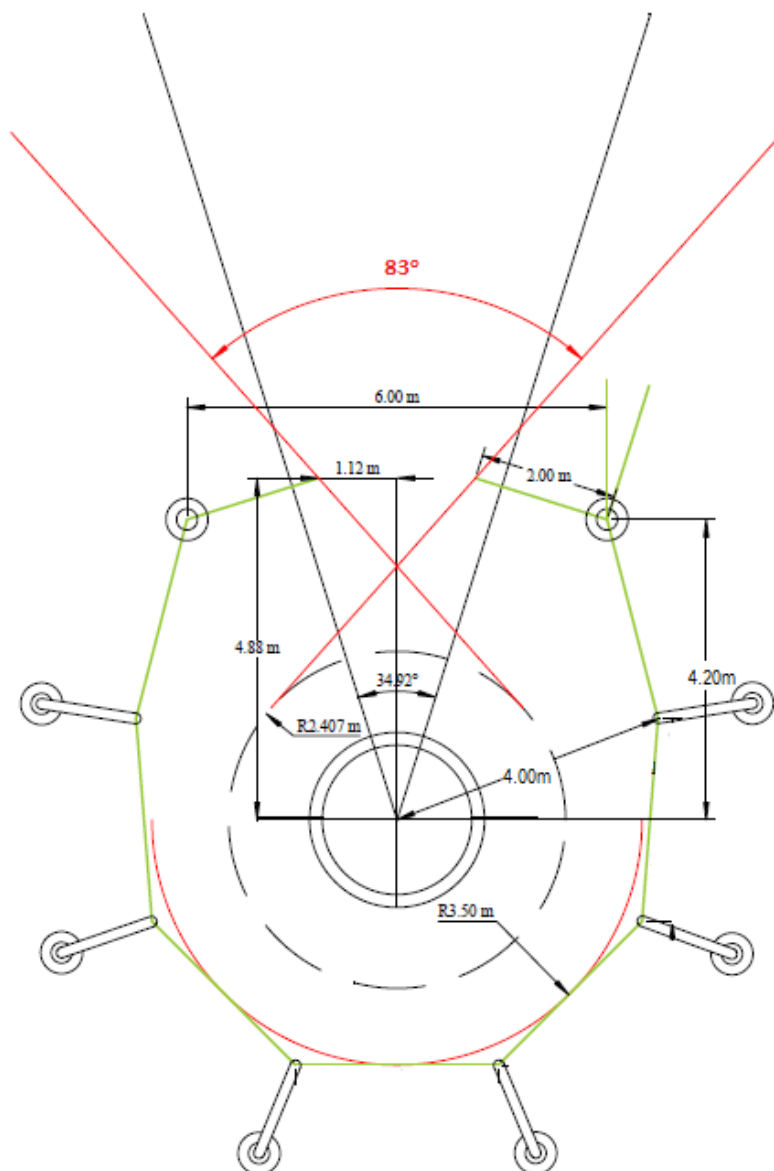


**REVISED UKA SINGLE
CIRCLE HAMMER
CAGE SPECIFICATIONS**

Figure 1.0 Pre-2018 UKA specification single circle cage (Hammer/ Hammer & Discus combined)



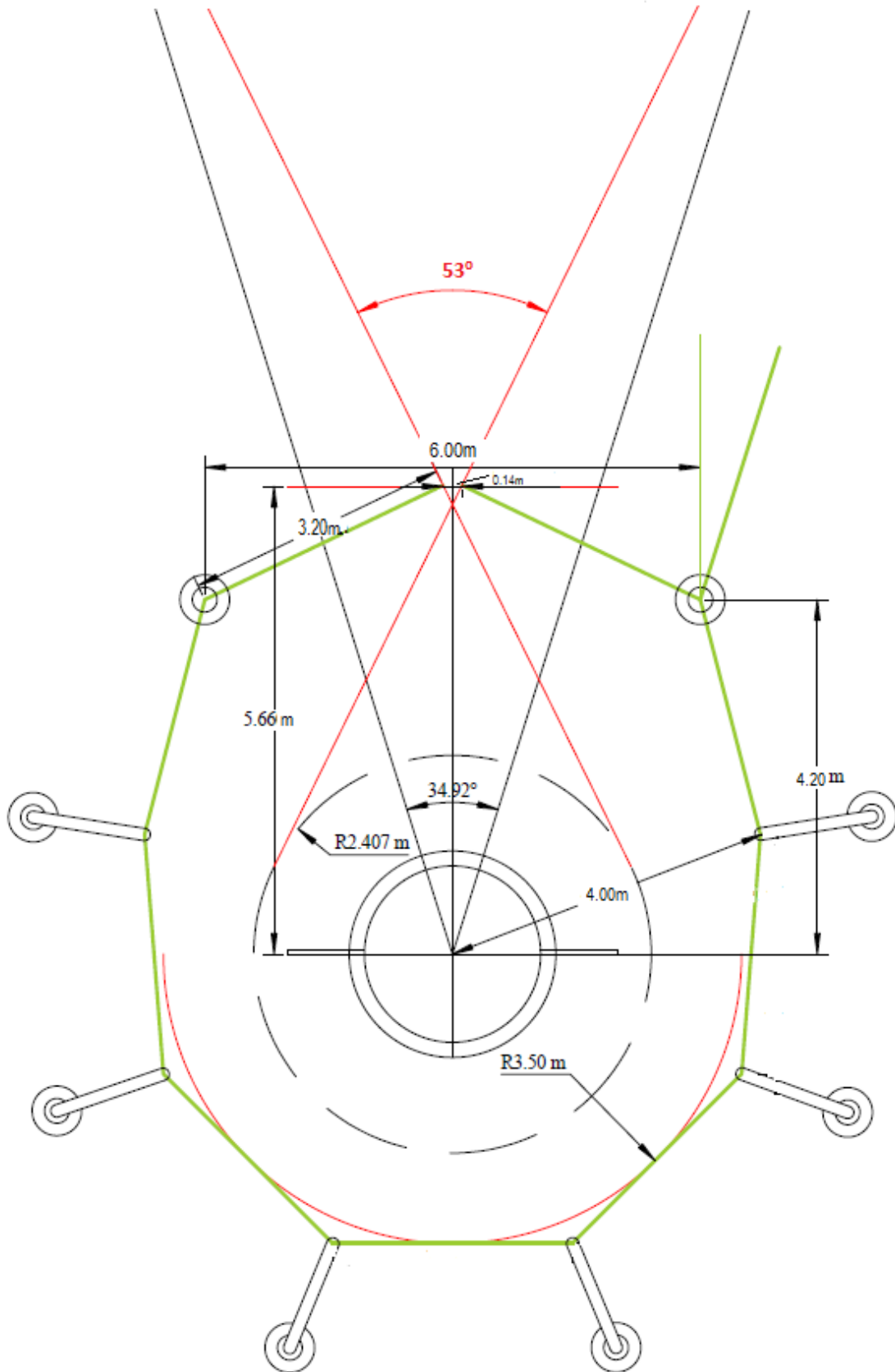
ACTION: All pre-2018 UKA specification single circle cages (hammer only and combined hammer & discus), must be modified to meet the intent of the IAAF specification resulting in:

- A hammer danger zone of no more than 56°
- A discus danger zone of no more than 69°

Notes:

- All new/replacement Hammer/Combined Hammer & Discus cage installations MUST be IAAF certified (i.e. Have an IAAF certification number that is valid at the time of installation).
- For pre-2018 UKA specification cages Figures 2.0 and 3.0 detail how single circle cages can be modified to meet the intent of the IAAF specification.
- Other innovative modifications may also be acceptable if they provide the same level of protection and result in a danger zone of no more than 56° (Hammer) and no more than 69° (Discus). Please contact [UKA](#) to discuss prior to modification work commencing.
- All cage modifications/installations must be carried out by an approved member of SAPCAs Track & Field division

Figure 2.0 Modified UKA single circle cage #1



How?

- Modification of the cage by increasing the gate width size from 2.0m to 3.20m (+1.20m) or by using additional suspended netting.
- Move the gate/curtain fixing position to a point nearer to the centreline: From 1.12m to 0.14m (NB. In the closed position the gate should be at right angles to the theoretical hammer trajectory line.)

Note: All modifications/installations must be carried out by an approved member of SAPCAs Track & Field division

Discus Throw notes

- The centre of circle is only 4.20m from opening of the cage therefore both gates must be fixed in a “discus closed” position that is parallel to the sector **centreline**

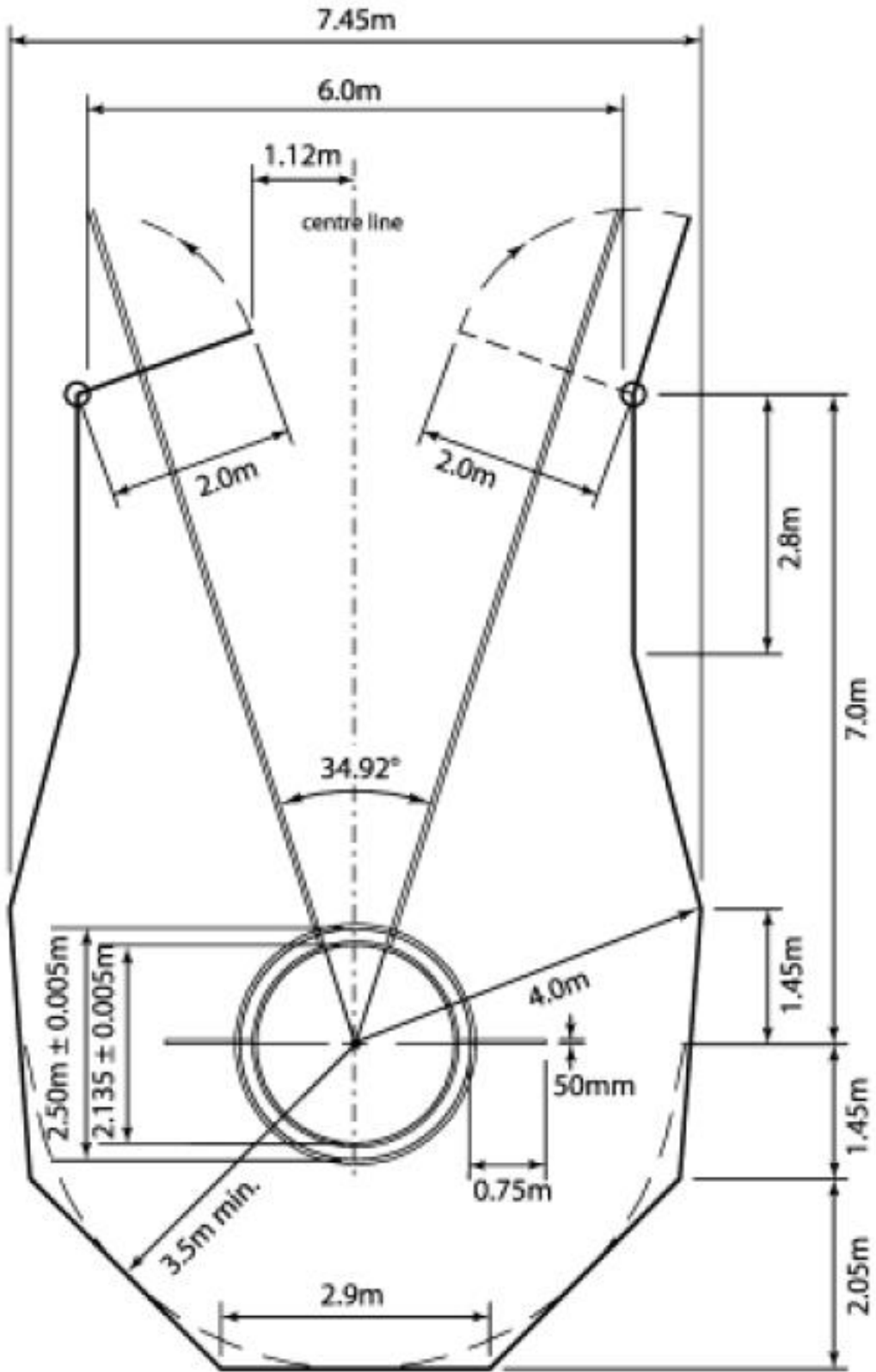
Cage Height notes:

- The minimum height of cage netting panels at their lowest point shall be 7.00m at the rear of the cage.
- Two movable gate panels shall be provided at the front of the cage, only one of which will be operative at a time. The minimum height of these panels shall be 9.00m at their lowest point.

Outcome:

- Hammer cage “danger zone” reduced from 83° to 53°
- Discus cage “danger zone” reduced from 85° to 69°

Figure 3.0 Modified UKA single circle cage #2



How?

- Modification of the cage by removing the existing 9.00m cage gates, adding 2x new 2.80m side panels and adding 2 x new 10.00m cage gates (gate width = 2.0m).
- Replace existing netting with new netting
- 4 x new gate fixing points drilled

Note: All modifications/installations must be carried out by an approved member of SAPCAs Track & Field division

Discus Throw notes

- The centre of circle is 7.00m from the opening of the cage and both gates must be fixed in the standard “open” position (i.e. parallel to the sector line)

Cage Height notes:

- The minimum height of cage netting panels at their lowest point shall be 7.00m at the rear of the cage.
- Two movable gate panels shall be provided at the front of the cage, only one of which will be operative at a time. The minimum height of these panels shall be 10.00m at their lowest point.

Outcome:

- Hammer cage “danger zone” reduced from 83° to 53°
- Discus cage “danger zone” reduced from 85° to 69°

Hammer cage notes

- Gate width is 2.00m with panels fixed 1.12m from the centreline in to achieve the 53° danger zone. (See also Figure 7.0)

Note: All installations must be carried out by an approved member of SAPCAs Track & Field division

Discus Throw notes

- The centre of circle is 7.00m from the opening of the cage and both gates must be fixed in the standard hammer “open” position (i.e. parallel to the sector line)

Cage Height notes:

- The height of the netting panels or draped netting at their lowest point shall be at least 7m for the panels/netting at the rear of the cage and at least 10m for the last 2.80m panels to the gate netting pivot points.
- Two movable netting panels 2m wide shall be provided at the front of the cage, only one of which will be operative at a time. The minimum height of the panels shall be 10m.

Outcome:

- Hammer cage “danger zone” of 53° (IAAF compliant)
- Discus cage “danger zone” of 69° (IAAF compliant)