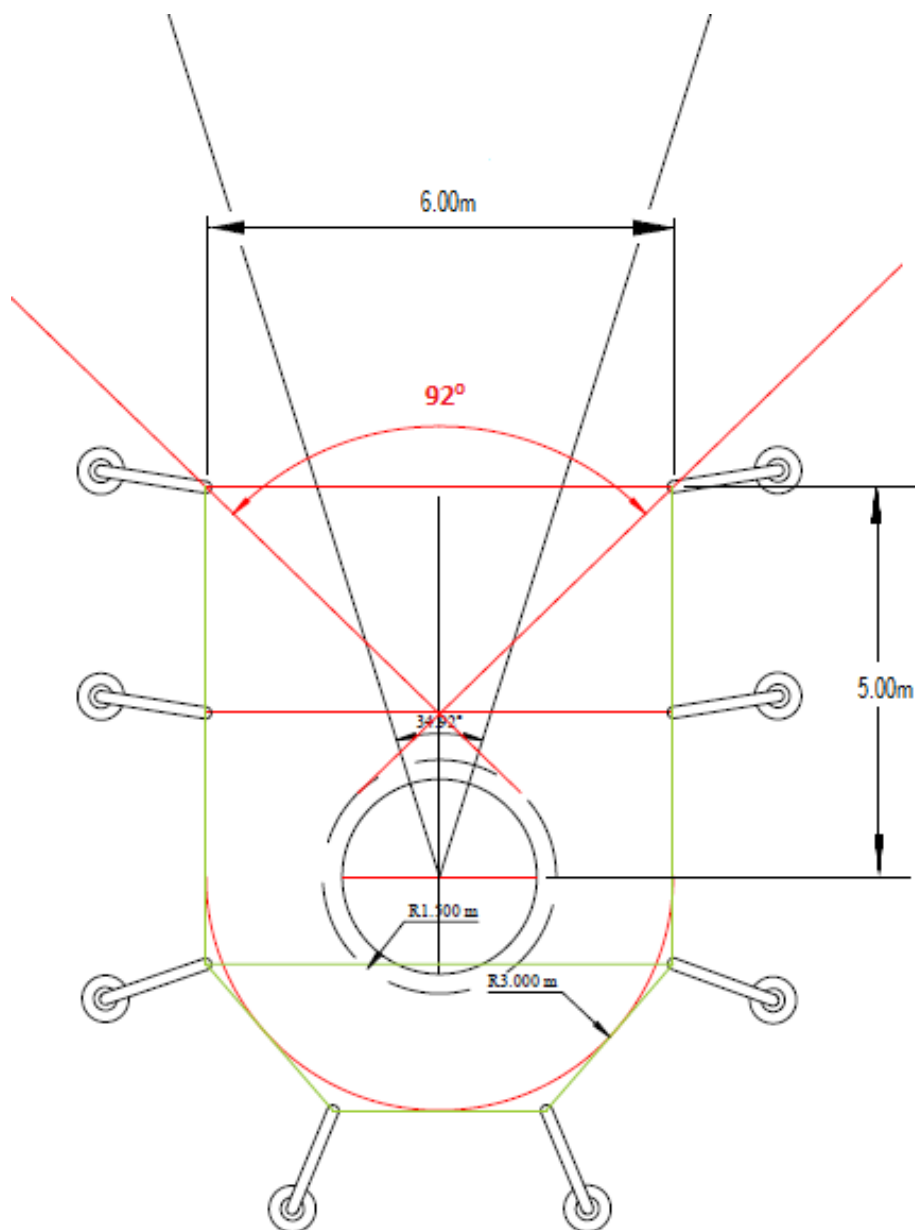


REVISED UKA DISCUS CAGE SPECIFICATION

Figure 1.0 Pre-2018 UKA specification Discus only cage



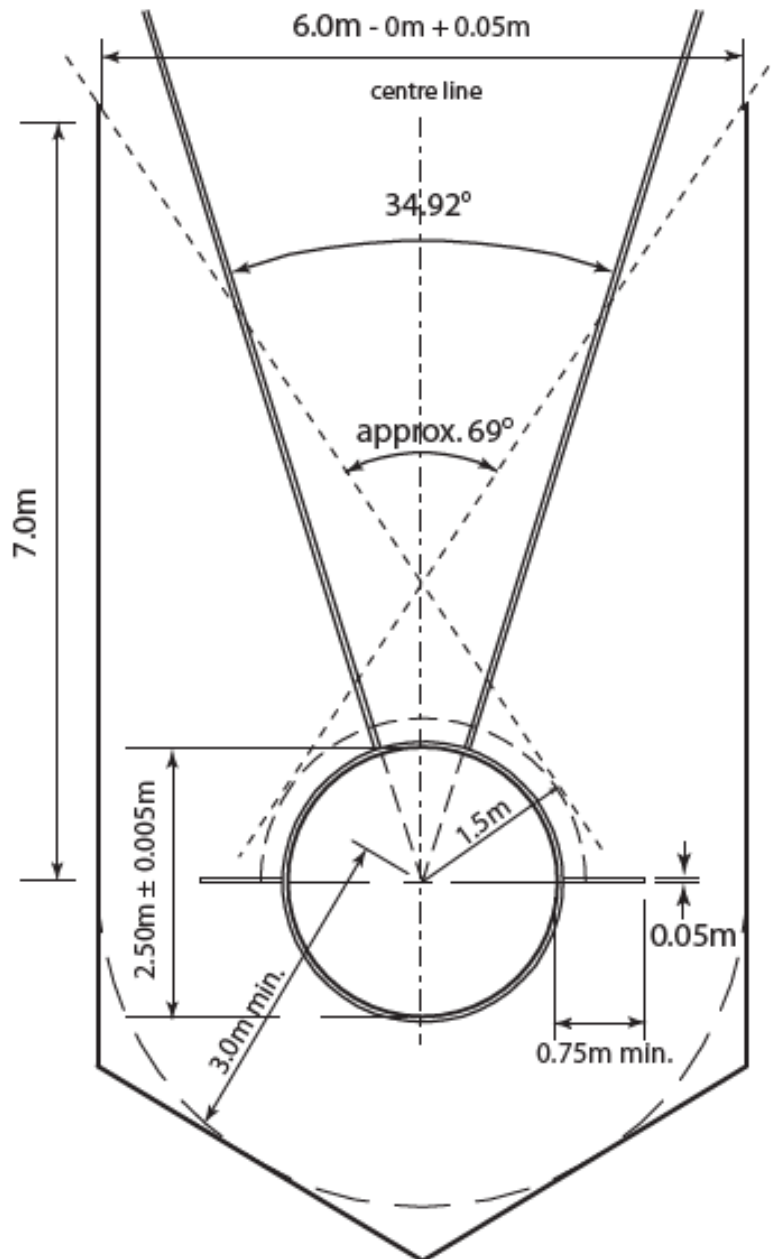
Action: All Pre-2018 UKA specification discus only cages must be modified/replaced to meet the 2020 IAAF cage specification (See Figure 2.0). Resulting in:

- A discus danger zone of no more than 69°

Notes:

- All new/replacement discus only cage installations MUST be IAAF certified (i.e. Have an IAAF certification number that is valid at the time of installation).
- The cage side, particularly alongside the track, may be lengthened and/or increased in height to provide greater protection to athletes competing on the adjoining track during a discus competition.
- All cage modifications/installations must be carried out by an approved member of SAPCAs Track & Field division

Figure 2.0 UKA/IAAF specification discus only cage



Discus cage layout

- The discus only cage is U-shaped in plan and the width of the mouth is 6.00m wide, positioned 7.00m in front of the centre of the throwing circle

Cage Height notes:

- The height of the netting panels or draped netting at their lowest point is 4.00m and it should be at least 6.00m for the 3.00m nearest the front of the cage on each side.

Note: All installations must be carried out by an approved member of SAPCAs Track & Field division

Modification/replacement outcome:

- Discus cage “danger zone” reduced from 92° (Pre-2018 UKA cage) to 69°