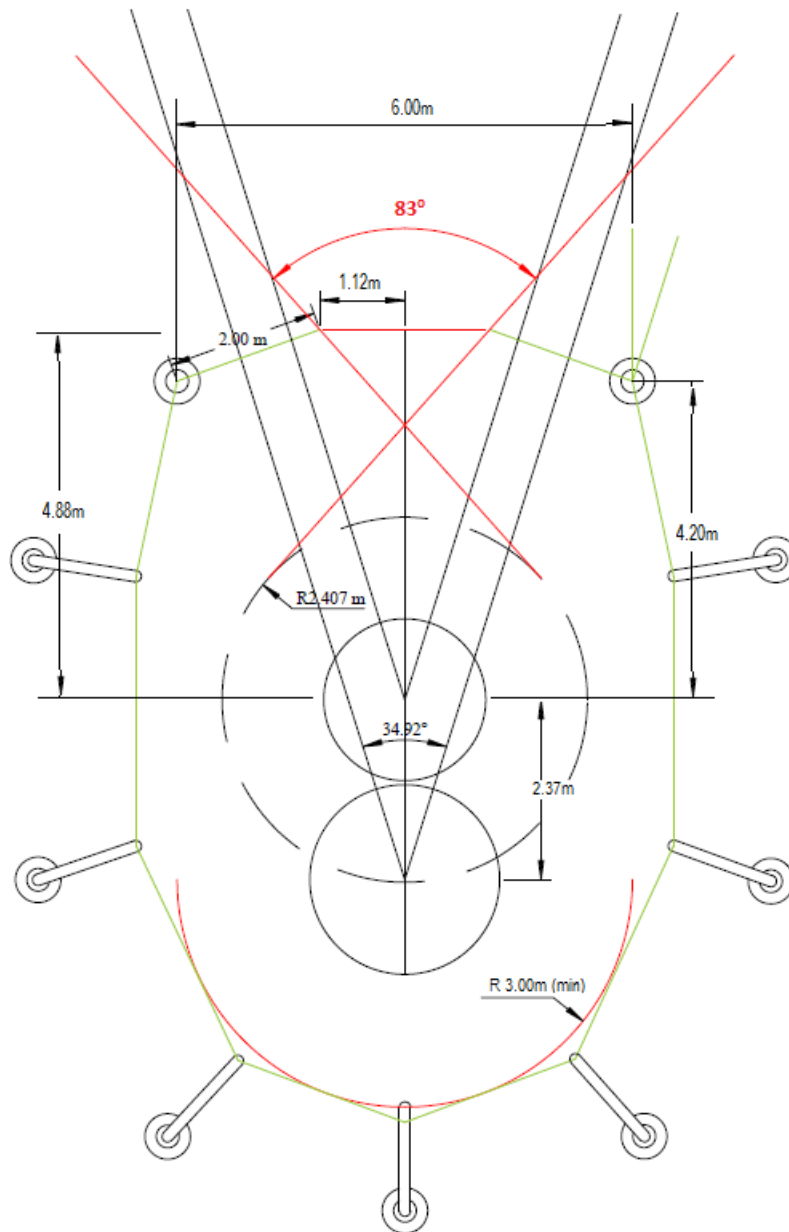


**REVISED UKA TWO
CIRCLE HAMMER
CAGE SPECIFICATIONS**

Figure 1.0 Pre-2018 UKA specification two circle cage



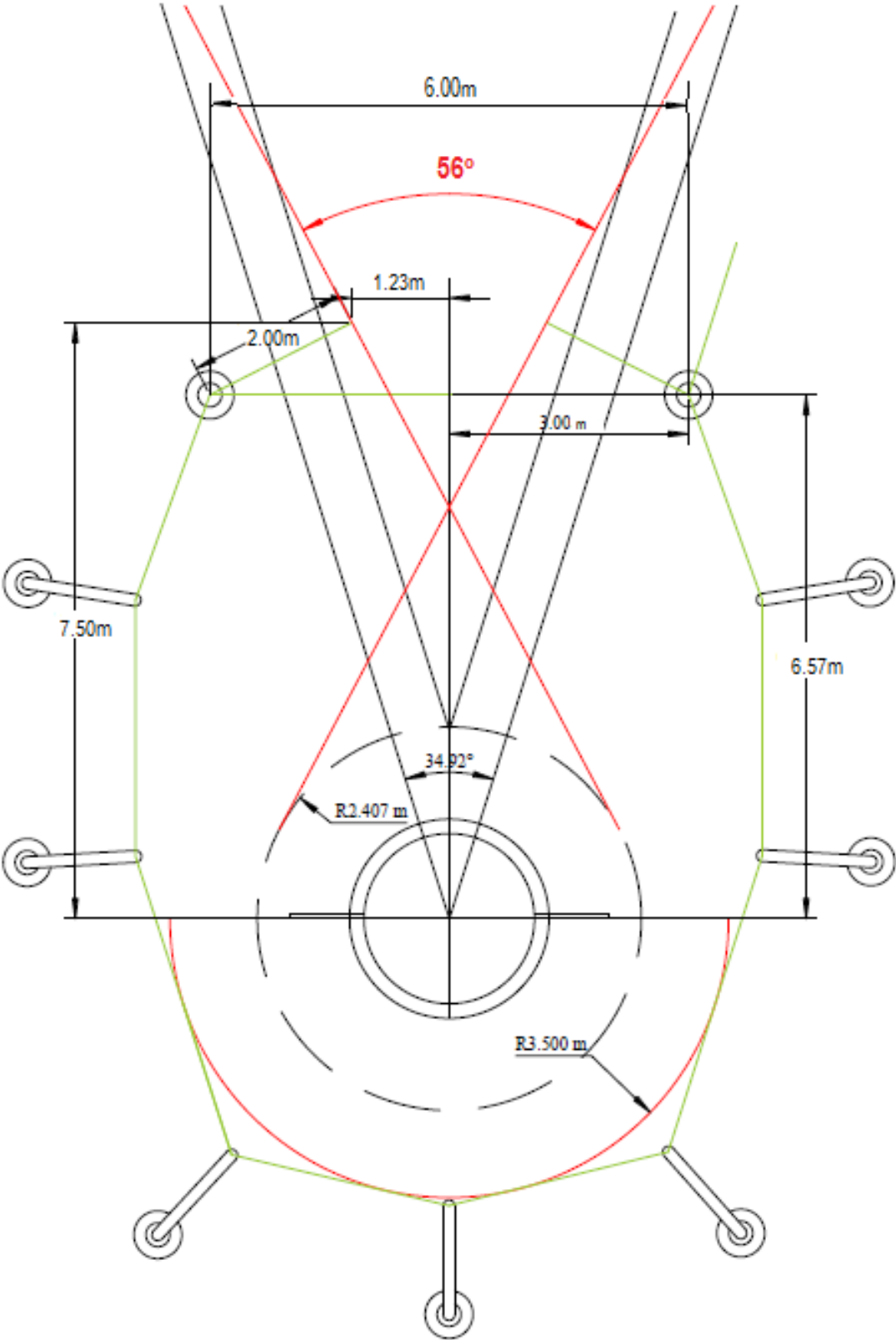
ACTION: All pre-2018 UKA specification two circle cages (hammer only and combined hammer & discus), must be modified to meet the intent of the IAAF specification resulting in:

- A hammer danger zone of no more than 56°
- A discus danger zone of no more than 75°

Notes:

- All new/replacement Hammer/Combined Hammer & Discus cage installations MUST be IAAF certified (i.e. Have an IAAF certification number that is valid at the time of installation).
- For pre-2018 UKA specification cages Figures 2.0 and 3.0 detail how two circle cages can be modified to meet the intent of the IAAF specification.
- Other innovative modifications may also be acceptable if they provide the same level of protection and result in a danger zone of no more than 56° (Hammer) and no more than 75° (Discus). Please contact [UKA](#) to discuss prior to modification work commencing.
- All cage modifications/installations must be carried out by an approved member of SAPCAs Track & Field division

Figure 2.0 Modified UKA cage #1



How?

- Discard/fill the front hammer circle and convert the rear discus circle to a concentric circle.
- Retain the existing 2.0m cage gates
- Move the gate fixing position from 1.12m to 1.23m from the centreline (NB. In the closed position the gate is fixed at right angles to the theoretical trajectory line – NOT the sector line.)
- Ensure that there is a minimum 3.00m radius to the rear netting (ideally 3.50m).

Note: All modifications/installations must be carried out by an approved member of SAPCAs Track & Field division

Discus Throw gate position

- Centre of circle is 6.57m from the opening of the cage and both gates must be fixed in the standard hammer “open” position (i.e. parallel to the sector line)

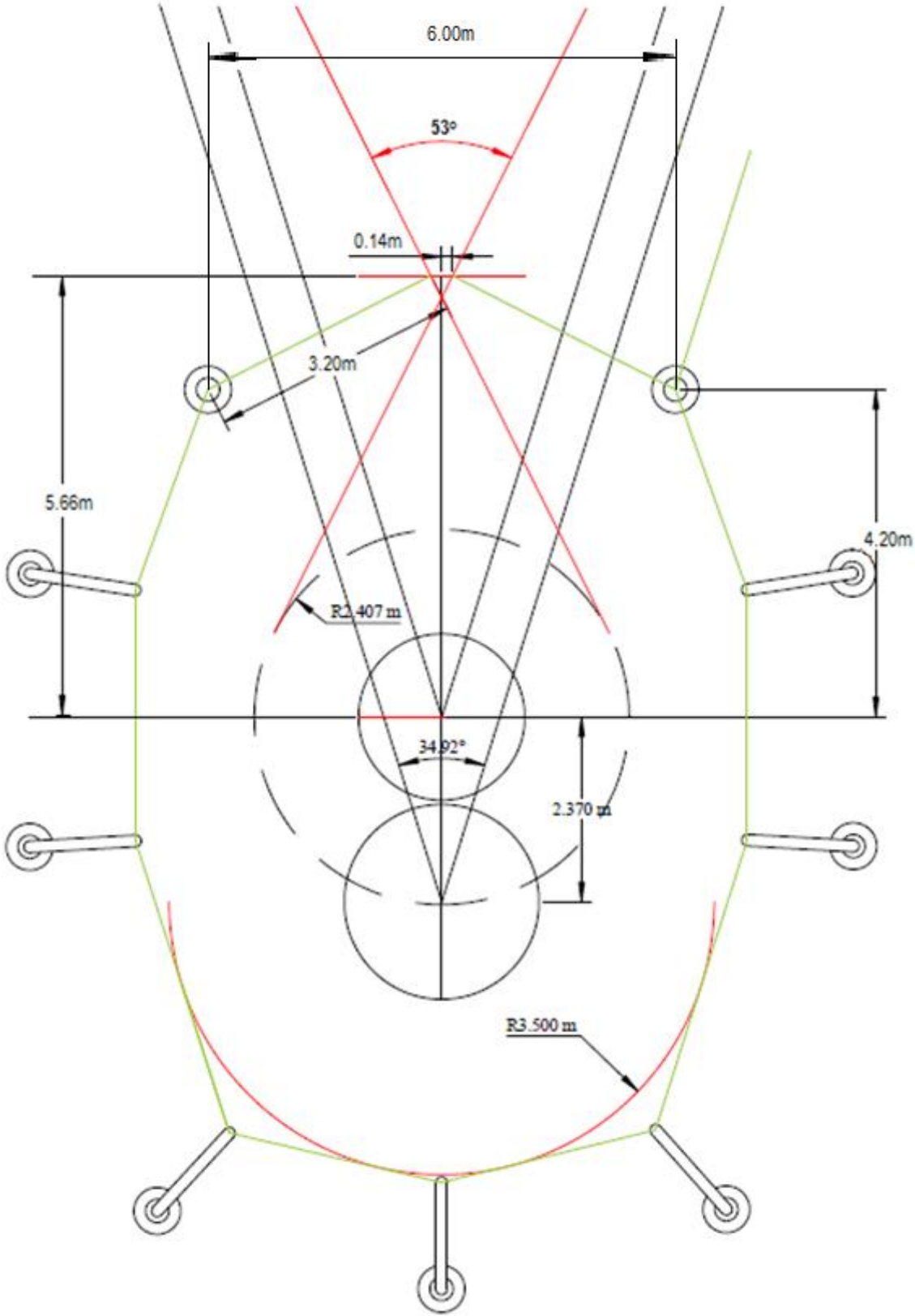
Cage Height notes:

- The minimum height of cage netting panels at their lowest point shall be 7.00m at the rear of the cage.
- Two movable gate panels shall be provided at the front of the cage, only one of which will be operative at a time. The minimum height of these panels shall be 9.00m at their lowest point.

Outcome:

- Hammer cage “danger zone” reduced from 83° to 56°
- Discus cage “danger zone” maintained at 75° (acceptable to the IAAF)

Figure 3.0 Modified UKA cage #2



How?

- Modification of the cage by increasing the gate width size from 2.0m to 3.20m (+1.20m) or by using additional suspended netting.
- Move the gate fixing position to a point nearer to the centreline: From 1.12m to 0.14m (NB. In the closed position the gate should be at right angles to the theoretical hammer trajectory line).

Note: All modifications/installations must be carried out by an approved member of SAPCAs Track & Field division

Discus Throw notes

- Centre of circle is 6.57m from the opening of the cage and both gates must be fixed in the standard hammer “open” position (i.e. parallel to the sector line).

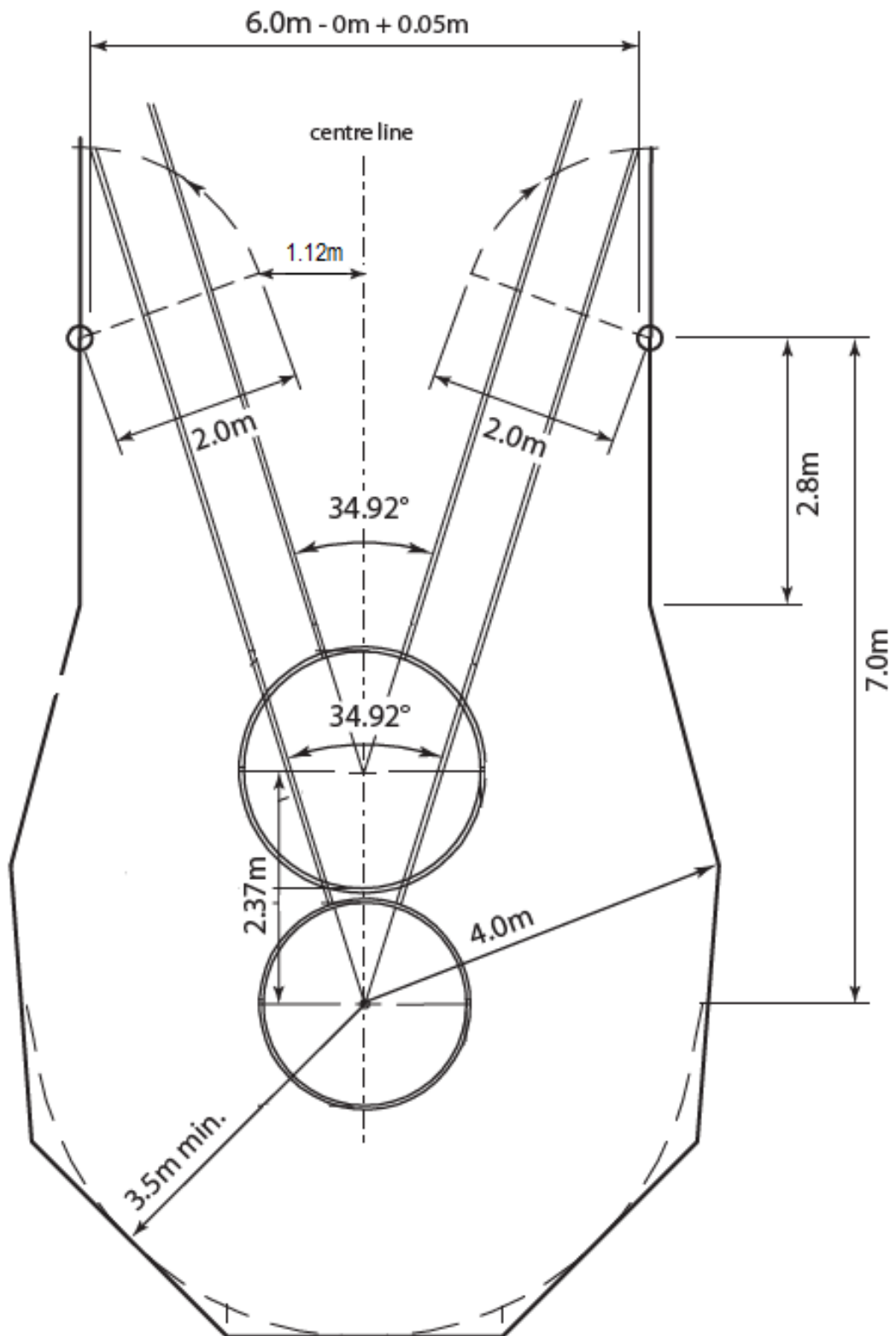
Cage Height notes:

- The minimum height of cage netting panels at their lowest point shall be 7.00m at the rear of the cage.
- Two movable gate panels shall be provided at the front of the cage, only one of which will be operative at a time. The minimum height of these panels shall be 9.00m at their lowest point.

Outcome:

- Hammer cage “danger zone” reduced from 83° to 53°
- Discus cage “danger zone” maintained at circa 75° (acceptable to the IAAF)

Figure 3.0 Standard IAAF specification Hammer/Discus cage with separate circles



Hammer cage notes

- Gate width is 2.00m with panels fixed 1.12m from the centreline in to achieve a 53° danger zone.

Note: All installations must be carried out by an approved member of SAPCAs Track & Field division

Discus Throw notes

- The centre of discus circle is only 4.63m from the opening of the cage and therefore both gates must be fixed in a position parallel to the centreline. (As shown in figure 3.0)

Cage Height notes:

- The height of the netting panels or draped netting at their lowest point shall be at least 7m for the panels/netting at the rear of the cage and at least 10m for the last 2.80m panels to the gate netting pivot points.
- Two movable netting panels 2m wide shall be provided at the front of the cage, only one of which will be operative at a time. The minimum height of the panels shall be 10m.

Outcome:

- Hammer cage “danger zone” reduced to 53°
- Discus cage “danger zone” 75° (acceptable to the IAAF)